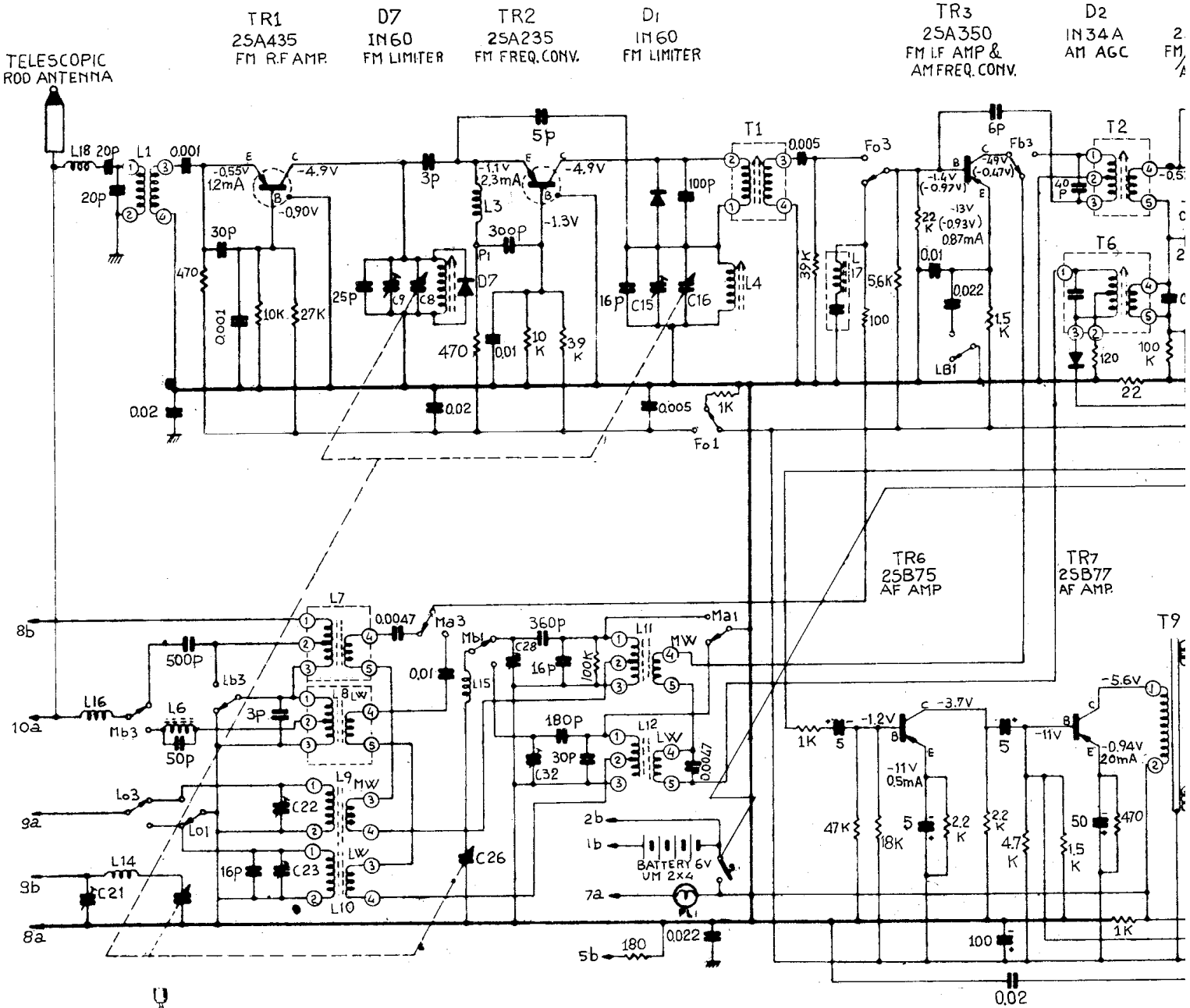


H I T A C H I MOD. KM 900



AUTORADIO ESTRAIBILE/FM

KM-900



TR3
2SA350
FM I.F. AMP &
AM FREQ. CONV.

D2
IN34A
AM AGC

TR4
2SA234
FM I.F. AMP
AM

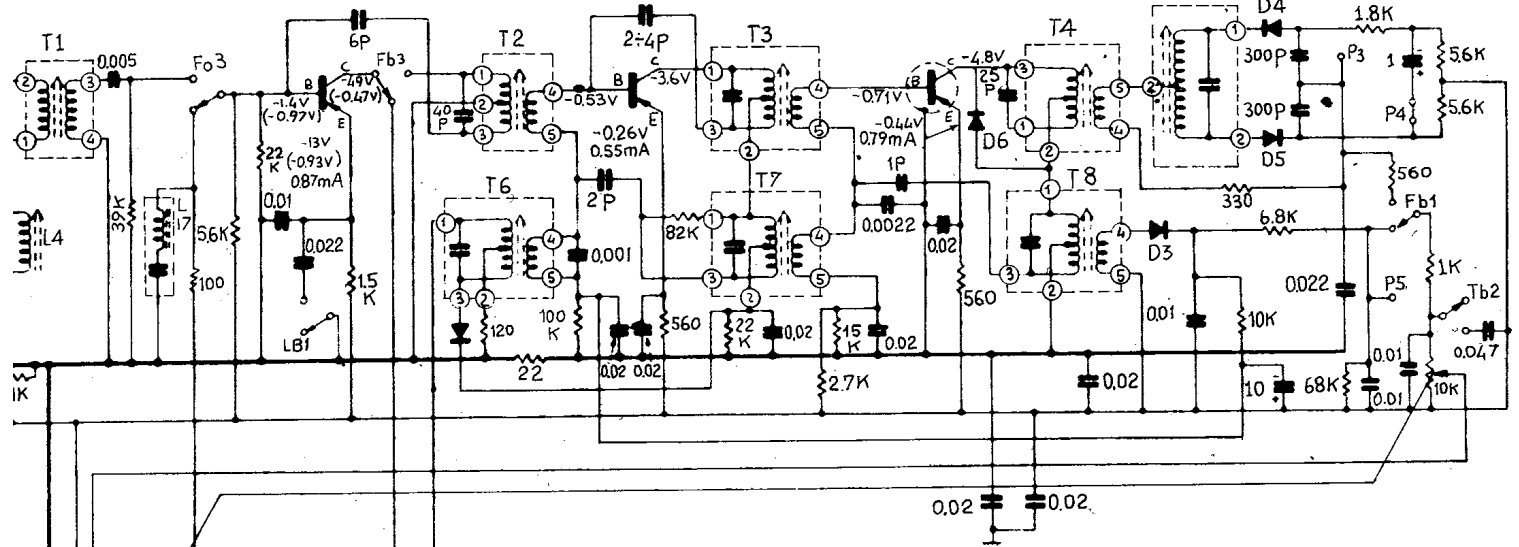
TR5
2SA234
FM I.F. AMP
AM

D6 -
IN60
FM LIMITER

D3
IN34A
AM DET & AGC

D4-5
IN60x2
FM DESC.

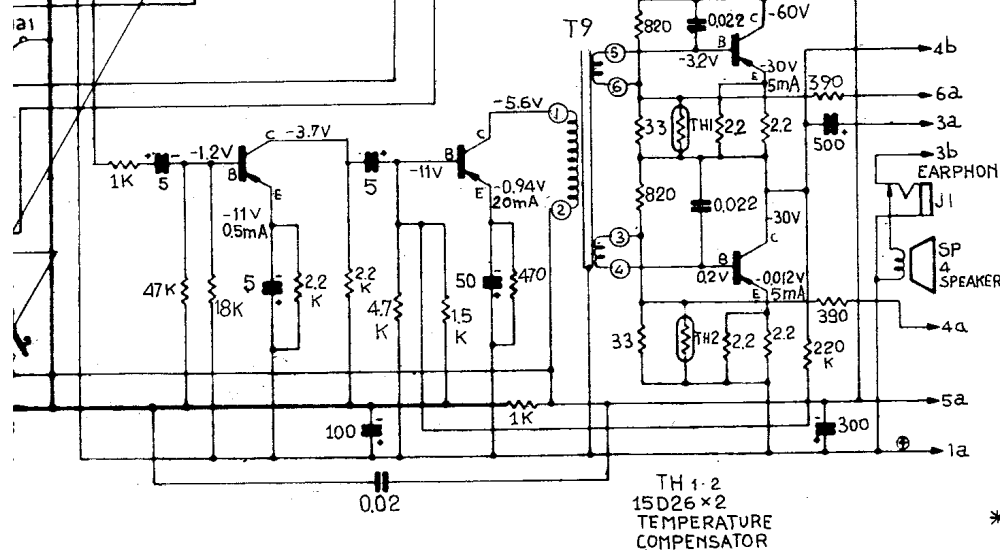
T5



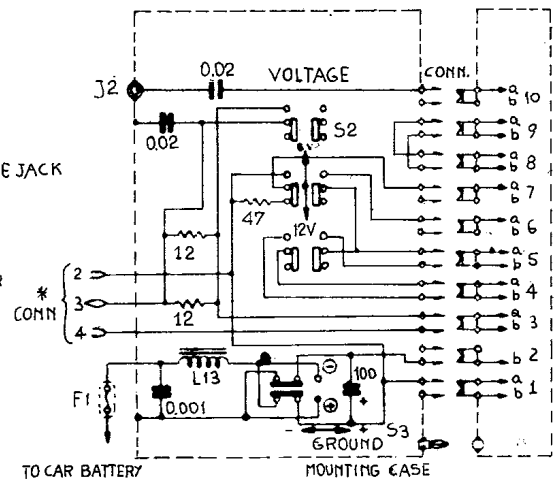
TR6
2SB75
AF AMP

TR7
2SB77
AF AMP

TR 8-9
2SB156x2
POWER AMP



TH 1-2
15D26x2
TEMPERATURE
COMPENSATOR



* CONN.(2-3) CONNECTING EXT. SP
CONN.(3-4) SHORT -> INT. SP.